
REGAL FIRE FLAT 90 X 42 ARCHITECTURAL

Architectural Series is a new proposal with **many innovations**. The function and the efficiency remain in the high standard levels of REGALFIRE.

The innovative characteristics of the series is the circumferential stable **frame 100mm**, the very small in dimensions frame of the door, only **20mm**, the height of the door which is **420mm** in the whole models of Architectural Series.



CORNER 90 X 42 ARCHITECTURAL

Thermal Output

11.3 kW

Efficiency

80 %

Weight

285 kg

Outlet Diameter

250 mm

Energy efficiency class

A+



INTERIOR



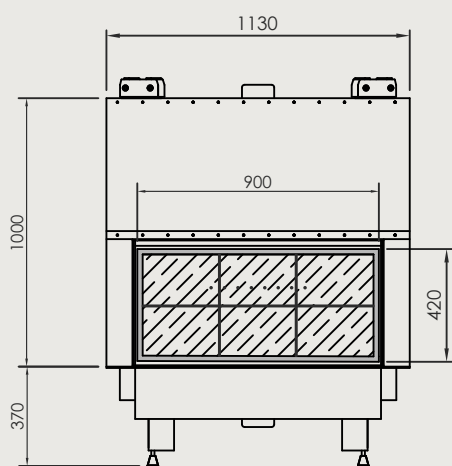
Default



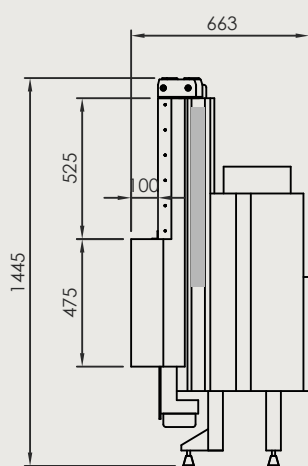
Optional



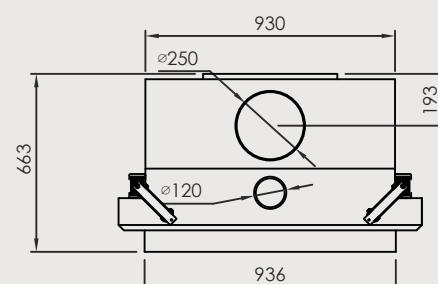
Optional
(additional Cost)



Front



Side



Top

FLAT ARCHITECTURAL

Vermiculate

A naturally occurring mineral that has the ability to reach high levels of heat, reflect the heat back into the chamber, increasing the burn efficiency and keeping the temperature high.

Air Curtain

Air curtain preset fresh air, flowing between the glass and fire, preventing combustion soot from soiling the glass.

Ceramic Glass

4mm glass that can withstand temperatures above 800°C

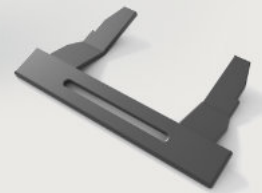
Sliding Door

Architectural line has a slimer frame door.

5 mm Steel

Built with 5mm steel for timeless durability

Removable handle



Adjustable legs

By default the legs 36cm and can adjust Up to 40cm

Air control regulator



10 cm Blade



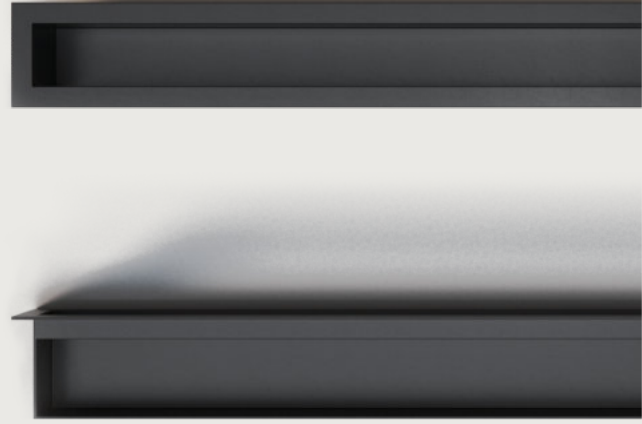
*Shorter legs can be requested upon order.

PARTS

VENTILATION GRILL

Minimalistic design dedicated to modern spaces 3 mm Steel and simplicity gave them a unique character, designed and production of air relief louve in minimal lines and in multitude of dimensions.

*Available in black and white



STAINLESS STEEL CHIMNEY

Made of Stainless Steel 304

*Also available in black,white and any RAL color with additional cost

INSULATION BOARDS

Lightweight calcium silicate insulating boards with low thermal conductivity and low heat storage



